



# Statement TT1

Loving music

User manual



Pic. similar



Pic. similar

## User manual

Dear **Clearaudio** customer,

Thank you for your decision to purchase the patented *Statement TT1* tangential tonearm from **Clearaudio**.

Please take a moment to read this owner's manual to ensure correct setup, to avoid any potential damage and to discover how to care for your *Statement TT1* so that it gives you many years of musical enjoyment and pleasure.

We wish you much pleasure with your new **Clearaudio** *Statement TT1* tangential tonearm.

**Clearaudio** electronic GmbH



## Safety instructions

### 1. General information

Check the tonearm for any damage before using it. Do not connect the tonearm if damaged!

Never connect the tonearm if it has been dropped or gotten wet, contact your dealer to have the tonearm checked.

Never expose the tonearm to rain or moisture.

The inside of the tonearm is maintenance free. Never open the case or attempt to repair the unit yourself, since this can lead to loss of warranty!

Before using the tonearm for the first time or after a long period of inactivity the lift must be operated approx. 4-5 times to loosen the grease in the tonearm lift to lower the lift bar evenly again.

### 2. Intended use

The *Statement TT1* is a tonearm for playing music and is intended exclusively for use on the **Clearaudio** Statement turntable.

Only use the *Statement TT1* tonearm in accordance with the information provided in the user manual.

### 3. Location of installation

Avoid locations with direct sunlight, temperature fluctuations and high humidity. Likewise, avoid placing electronic devices near heaters, heat lamps, or other devices that produce heat.

The device is designed for operation at room temperature.

No objects with an open flame may be placed on or near the device (burning candles or similar).

### 4. Maintenance

Please make sure that the precision dry ball bearings are not touched, cleaned or lubricated in any way.

Never move or readjust the screws in the tonearm carriage. They should be adjusted only by qualified dealers or at the **Clearaudio** factory.

Use a cotton bud and a commercially available glass cleaner to clean the glass tube. Put some glass cleaner on the cotton bud and slide it through the glass tube with a movement from the inlet to the outlet groove.

Never use aggressive cleaning agents.

Do not use dry cloths for cleaning as this generates static electricity. Suitable cleaning and care products from **Clearaudio** are available at [www.analogshop.de](http://www.analogshop.de) or from specialist retailers.

Only use a soft cloth with a smooth surface or a soft brush for cleaning.

If the *Statement TT1* tonearm is not in use for a long period, please cover the tonearm to protect it from dust.

### **WARNING:**

**Never insert the oil into the precision bearing as this will result in damage of bearing.**

## 5. Health information

Permanently high volume can lead to various types of hearing damage. Use high volume responsibly!

## 6. Service

The *Statement TT1* tonearm should be repaired during the guarantee period by the manufacturer only, otherwise the warranty claim expires. All **Clearaudio** products should only be serviced by specialist retailer.

If, despite the high production standard, a service is necessary, the *Statement TT1* tonearm must be send to **Clearaudio** through your dealer.

## 7. Transport

Use the original packing material for further transportation of the *Statement TT1* tonearm, otherwise serious damage could occur.

Be sure to pack the device exactly as it was shipped.  
Safe transport is only guaranteed in the original packaging.

**During any transportation of the tonearm, always protect the carriage with a piece of foam so that the carriage cannot move during transportation.**

**When repackaging the tonearm, please follow in reverse the steps indicated in this manual for installation and setup.**

## 8. Disposal



Do not dispose this product together with other waste.

WEEE Reg. No.: DE26004446

## 9. CE Marking



This electronic product corresponds to the applicable guidelines for obtaining the CE mark.



## Contents

1. List of components.....	6 - 7
2. Delivery condition.....	8
3. Front and rear view of the <i>TT1</i> tonearm.....	9
4. Preparation of the Statement turntable .....	10 - 11
5. Mounting the <i>TT1</i> tonearm on the Statement turntable .....	12
6. Mounting the armwand .....	13
7. Mounting the cartridge.....	14
8. Pre-setting the tracking force .....	15
9. Fine adjustment of the tonearm	
9.1 Adjustment of the tangential alignment .....	16
9.2 Adjustment of the VTA .....	17
9.3 Adjustment of the azimuth.....	18
10. Troubleshooting.....	19
11. Technical data .....	20
Warranty.....	21 - 22

## 1. List of components

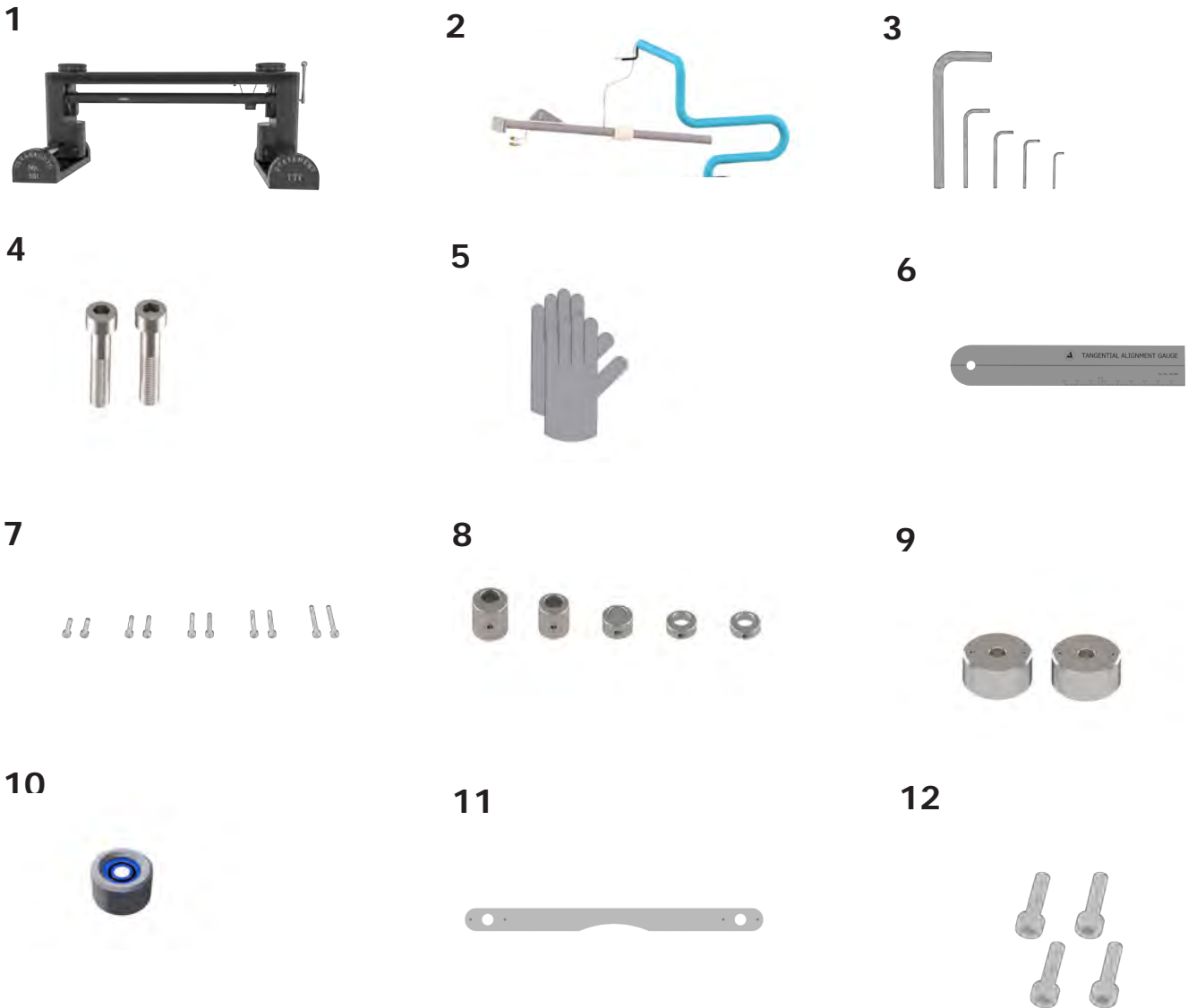
The **Clearaudio Statement TT1** tonearm is delivered in a special packing to ensure its safe transport. Please keep this packaging in case of any further transport.

**Important note:**

Please check the contents as shown in the picture below.

Please take special care of the tonearm cable while unpacking your **Clearaudio Statement TT1** tonearm!

**Note: All threads are metrical!**



Pic. 1: Package content



## User manual

1.	Tonearm body	8.	Counterweights
2.	Carbon armwand, including cable	9.	2x round base (stainless steel)
3.	Hex wrench: #1.5 / #2 / 2,5# / #3 / #8	10.	Mini Level Gauge
4.	2x large hex socket headed bolts M10 x 80 (to mount round base on turntable)	11.	Alignment gauge to aligning the round bases
5.	White gloves	12.	4x mounting screws M4 x 20 (to mount tonearm on round base)
6.	<b>Clearaudio</b> linear gauge	13.	User manual, Warranty card, Return delivery note (not shown)
7.	Set with cartridge mounting screws		

## 2. Delivery condition

The *Statement TT1* is packed in a special foam packaging and comes almost completely assembled.



**Pic. 2:** Delivery condition tonearm body

### **Please note:**

For the transport, the tonearm carriage is protected with an transport lock to avoid any damages. The armwand is packed separately and will be installed later.



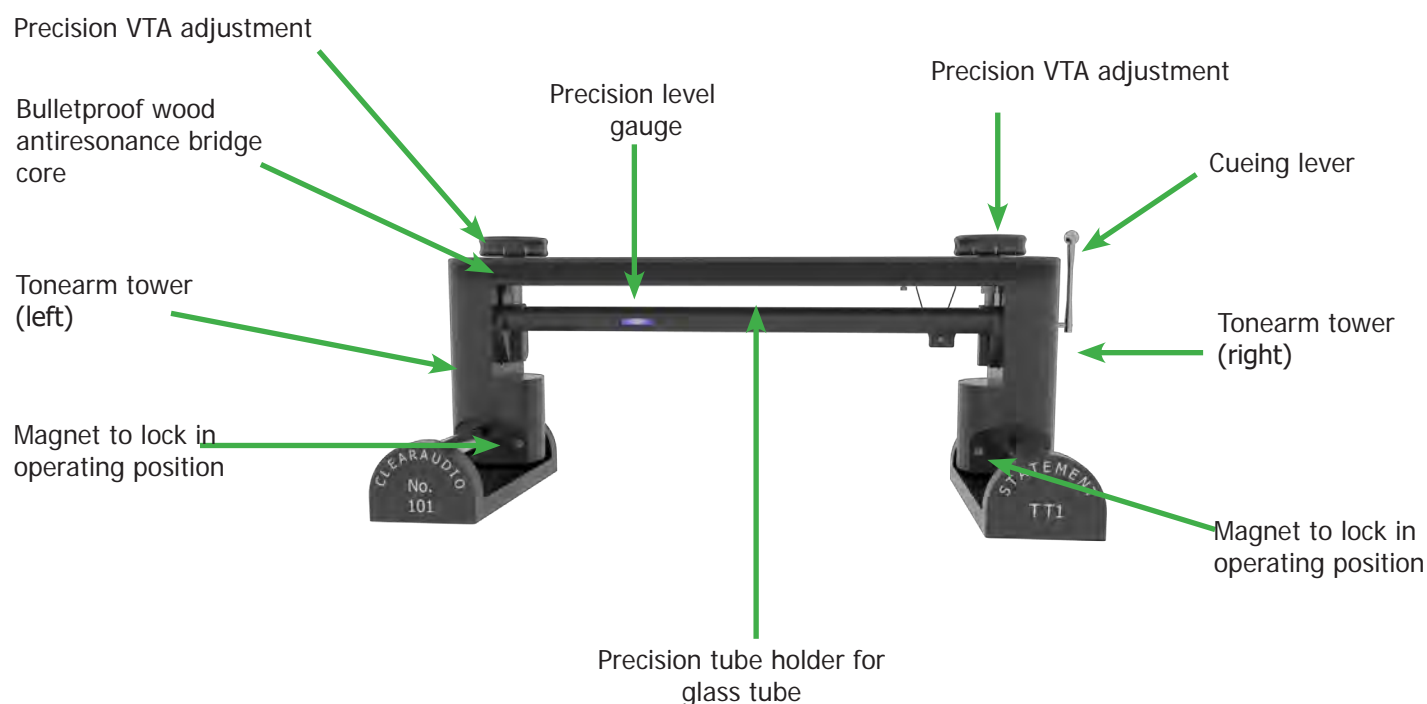
**Pic. 3:** Armwand

Additional parts, accessories and tools are also packed separately.

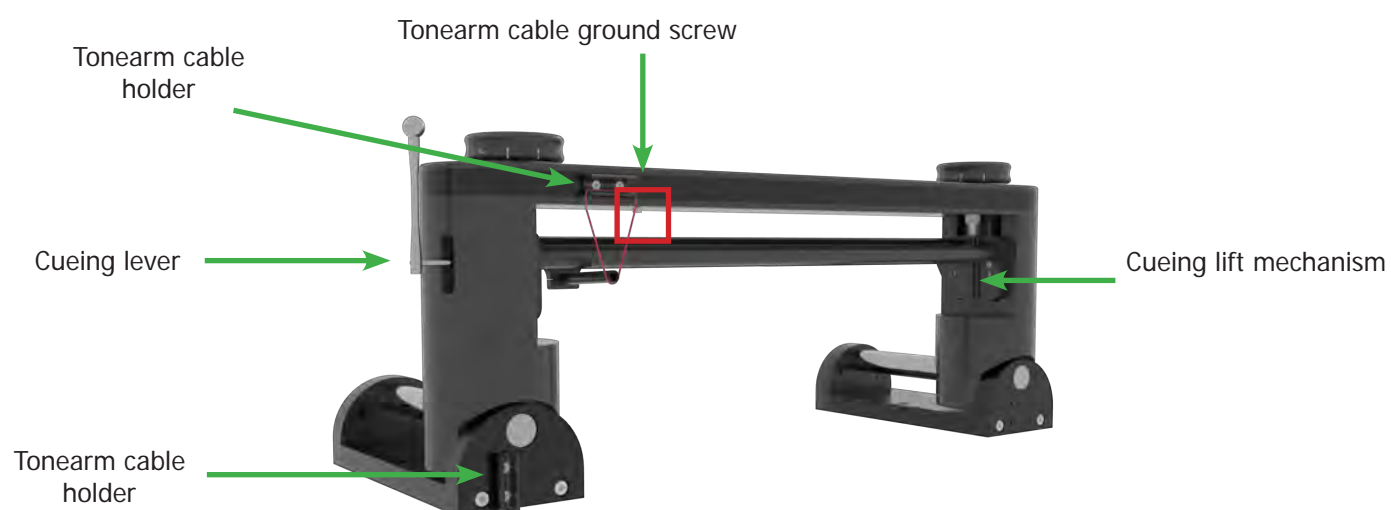


### 3. Front and rear view of the TT1 tonearm

#### Front view



#### Rear view



Pic. 4: Front and rear view

## 4. Preparation of the Statement turntable

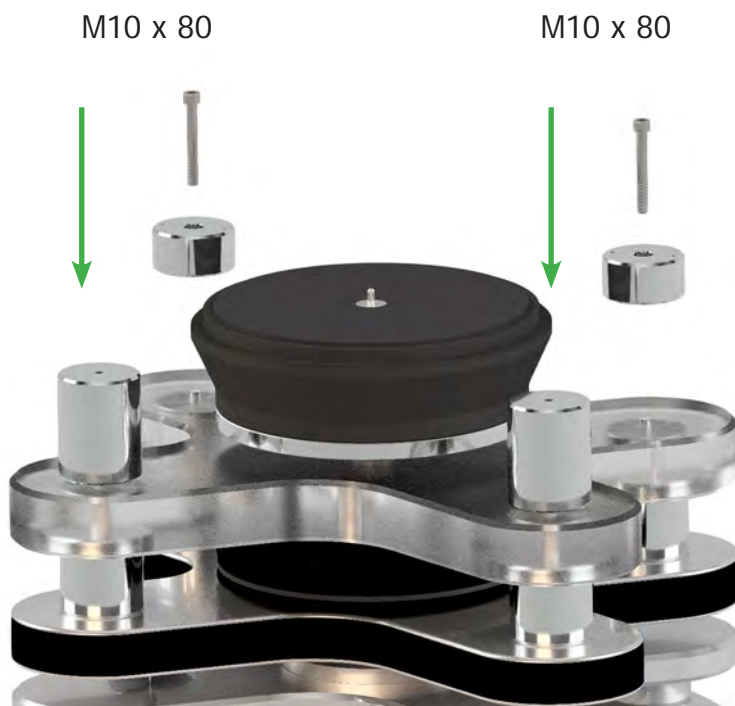
After checking the package contents as described on page 4, place the parts on a clean and flat surface in preparation for set-up.

Assembly and set-up of the *TT1* are quite straightforward, as most parts have been factory pre-assembled.

Please use the white gloves provided to avoid introducing scratches and/or fingerprints during assembly.

First, position the two round bases (see page 4, package content No. 9) onto the turntable. Please note, you may need to remove the previous discs/cylinders or tonearm bases first.

Please use only the round bases provided, as they are specifically height-matched for the *TT1* tonearm.



**Pic. 5:** Installing the stainless steel tonearm round bases on the *Statement* turntable

Do not tighten the base mounting bolts (see page 4 package content No. 4), you should be still able to turn the bases.

## User manual

Now place the aligning gauge on top of the two round bases (see picture 6). Rotate the round bases until all four pins on the bottom of the alignment gauge fit into the threads machined into the bases.

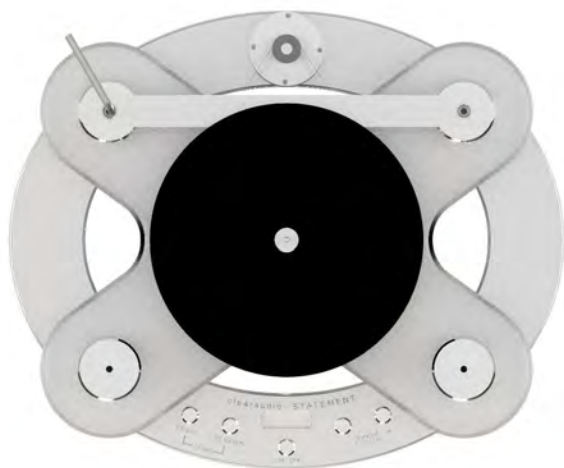


**Pic. 6:** Placing the alignment gauge

While holding the alignment gauge in this position, tighten the two bolts with the hex wrench provided (Pic. 7).

**Attention:**

Any misalignment at this stage will cause problems when positioning the *TT1* tonearm



**Pic. 7:** Tightening the mounting bolts

After the round bases have been fixed, the alignment gauge can be removed.

## 5. Mounting the *TT1* tonearm on the *Statement* turntable

To avoid any damage on the tonearm or turntable, we recommend that two people do the assembly.



**Pic. 8:** Placing the tonearm assembly in position



**Pic. 9:** Tightening the tonearm mounting bolts



**Pic. 10:** View of the mounted tonearm

Place the tonearm chassis on top of the two round bases. Lift it carefully, making sure that the sliding tonearm bridge is positioned to the rear of both sliding bases as shown in picture 8.

While holding it in place, insert the four socket head mounting screws provided into the threaded holes in the tonearm mounting bases and tighten them.

**Please note:** Always hold the tonearm in place while fixing the four bolts.

Check the ease of movement of the tonearm again by moving it back and forth several times.

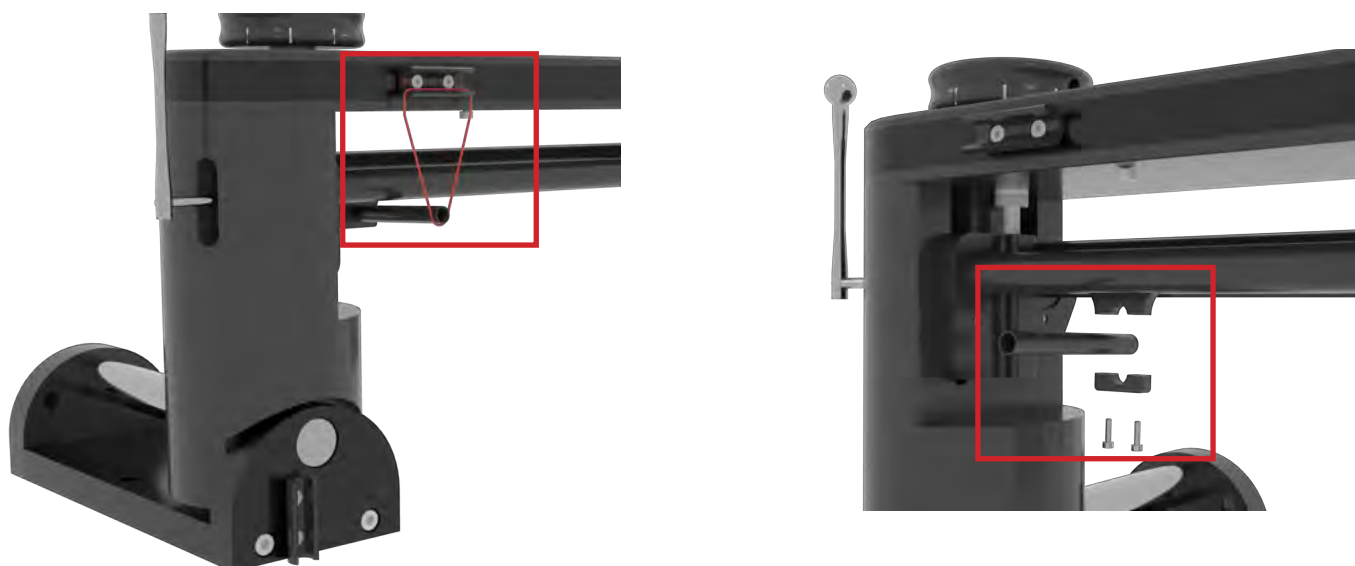
**Please note:** You may need to readjust the levelling of the *Statement* turntable once you have fully completed setup of the *TT1* tonearm.

## 6. Mounting the armwand

**Please take great care in undertaking the following steps.**

Remove the rubber band which is used as transportation lock.

Afterwards loosen the screws from the aluminum block and remove the second transportation lock.



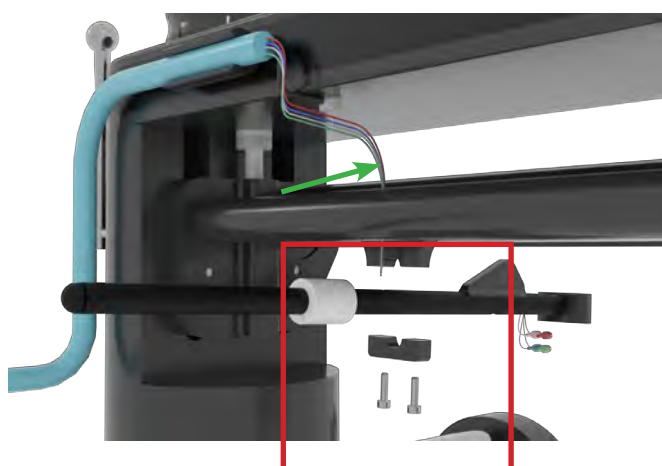
**Pic. 11:** Pre-mounted bearing carriage and glass tube with transportation lock

Move the tonearm to the playback position and press the cable into the holders provided on the back of the tonearm. Make sure that the cable has enough latitude when the tonearm is moved back and forth.

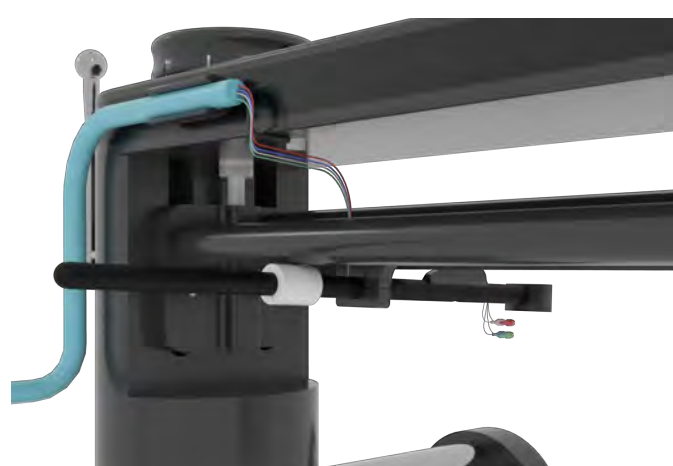
Guide the tonearm tube between the track and the eccentric shaft (green arrow, Fig. 12).

Now you can mount the armwand on the carriage using the aluminum clamping block and the two screws. Ground the tonearm using the screw as seen in picture 12.

We recommend tightening the screws of the aluminum block only slightly, as the armwand needs to be movable for the subsequent adjustments.



**Pic. 12:** Mounting of the armwand



**Pic. 13:** Mounted armwand

## 7. Mounting the cartridge

The following settings require mounting the cartridge on the headshell.  
Always follow the cartridge manufacturer's instructions.  
Use the screws provided to mount the cartridge onto the headshell.



Pic. 14: Mounting the cartridge

**Leave the stylus protector on your cartridge to avoid any damages!**

Please note:

This tonearm is suitable for all cartridges with a weight of 5.5g and above.  
If your cartridge is lighter, please use an additional weight (headshell plate).

Available through your dealer/distributor or at **Clearaudio**: [info@clearaudio.de](mailto:info@clearaudio.de)

Now you can connect the respective signal cable with the matching color pins of the cartridge.  
Please note the following colour coding:

<b>Red:</b>	right channel / R+
<b>Green:</b>	right channel / R -
<b>White:</b>	left channel / L+
<b>Blue:</b>	left channel / L-

## 8. Pre-setting the tracking force

**To make the adjustment, first remove the stylus protector.  
Please handle all equipment with care to avoid any damage.**

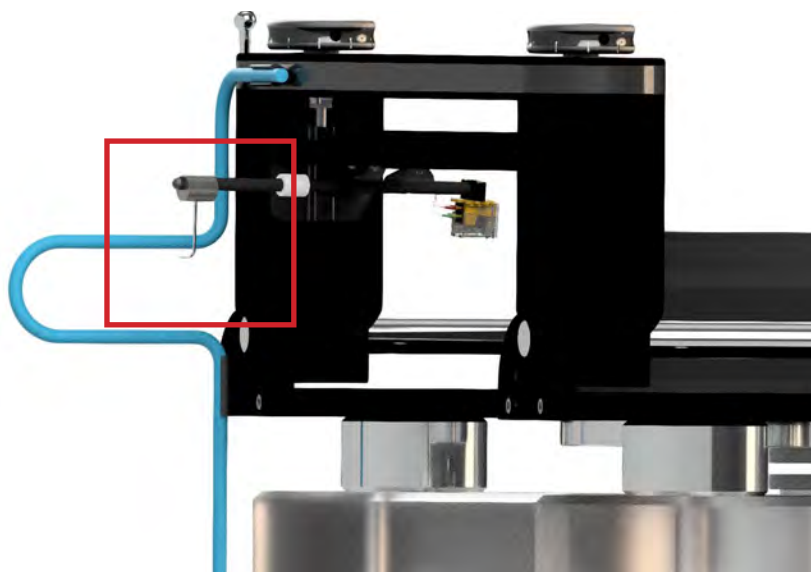
Use one of the supplied weights to roughly adjust the tracking force by placing the counterweight onto the back of the headshell tube (Pic. 15).

The choice of counterweight depends on the weight of the cartridge.

**Please only pre-adjust the tracking force of the cartridge.  
The correct setting will be made at the end of the tonearm settings.**

Use the #1.5 hex wrench to tighten the counterweight fixing screws.

To check the tracking force, we recommend the **Clearaudio** "Weight Watcher touch" digital cartridge weight (Art. No. AC163, also available at [www.analogshop.de](http://www.analogshop.de)).



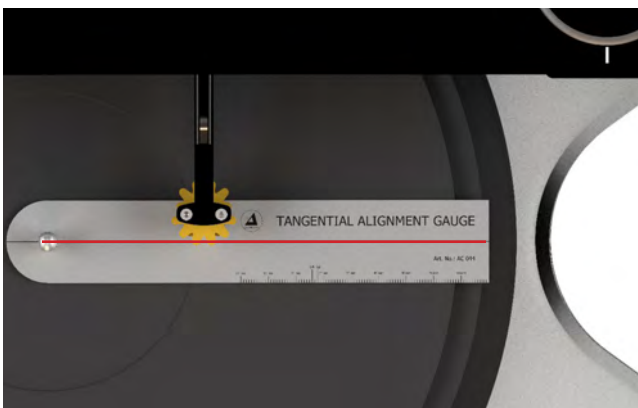
**Pic. 15:** Counterweight adjustment

## 9. Fine adjustment of the tonearm

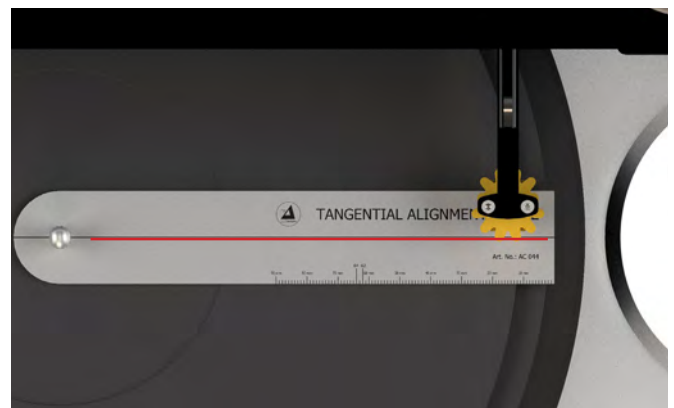
### 9.1 Adjustment of the tangential alignment

Use the lift to lower the stylus at the left hand end of the **Clearaudio** linear gauge, moving the gauge so that the diamond sits exactly on the reference line (see Pic. 16a).

Lift the cartridge up again and then position it at the right hand end of the gauge (Pic. 16b).



Pic. 16a



Pic. 16b

Pic. 16: Adjustment of the tangential alignment

**Never move the cartridge in the alignment gauge while it is lowered.**

If the needle is not parallel to the reference line, correct the position of the armwand, fix it slightly and check your result again.

Repeat this process until the needle tip is perfectly in all positions in the reference line the setting template is seated.

Finally, hand-tighten the screws on the terminal block to fix your result.



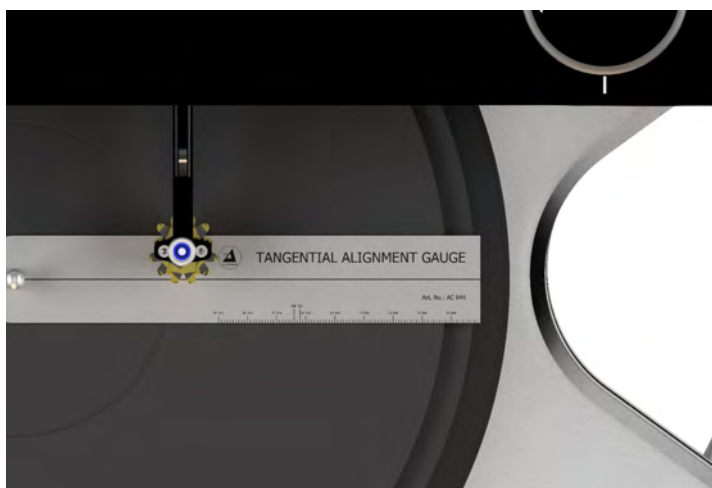
## 9.2 Adjustment of the VTA (tonearm height)

The included **Clearaudio** linear gauge is suitable for adjusting the tonearm height, as it corresponds to the thickness of a record.

Place the **Clearaudio** linear gauge through the existing hole on the spindle of the turntable and align it parallel to the tonearm.

Move the tonearm forward to the playback position and check the tonearm height by placing the Mini Level Gauge on the headshell of the pickup.

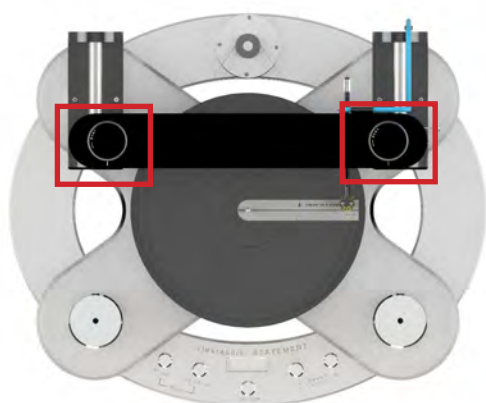
Place it carefully(!) in the center on the top of the headshell of the raised cartridge and lower the cartridge onto the linear gauge using the lift.



**Pic. 17:** Adjustment of the VTA

To correct this, turn the two wheels of the precision VTA adjustment on the top of the tonearm until the bubble of the Mini Level Gauge on the headshell is level.

Leave the mini level gauge on the headshell and the linear gauge on the platter, as it is also required for the further settings.



**Pic. 18:** VTA adjustment

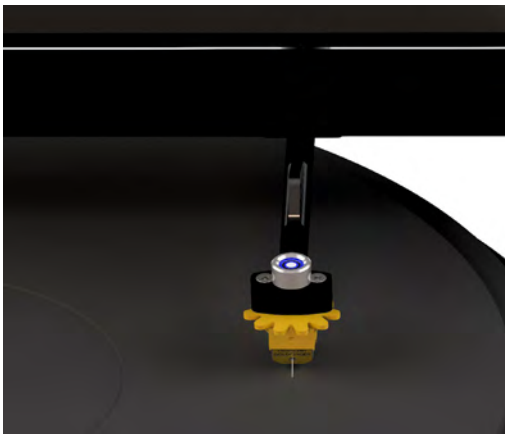
### 9.3 Adjustment of the azimuth (Vertical position of the cartridge)

**Please be extremely careful during the following step!**

**Please lift the cartridge up!**



**Pic. 19:** Adjustment of the azimuth



**Pic. 20:** Placing the Mini Level Gauge

Use the Mini Level Gauge provided for the following azimuth setting.

Lower the cartridge onto the linear gauge and check the azimuth with the air bubble on the Mini Level Gauge.

With the cartridge raised, adjust the headshell in the appropriate direction to achieve the desired orientation.

It may be necessary to loosen the locking screw for the headshell tube on the cart.

Fix the screw after completing the setting and remove the Mini Level Gauge from the headshell.

Set the correct tracking force of your cartridge according to the manufacturer's instructions.

For the correct setting we recommend the digital cartridge weight „Weight Watcher touch“ from **Clearaudio** (item: AC163; also available from: [www.analogshop.de](http://www.analogshop.de)).

For perfect sound, we recommend checking the tracking force, azimuth and VTA settings again and correcting them if necessary.

The **Clearaudio** *Statement TT1* tonearm is now completely adjusted and ready to play.



## 10. Troubleshooting

First check the possible causes to rule out incorrect operation if you have a problem with your *Statement TT1* tonearm.

Please contact your dealer if the error persists!

**Never try to open the unit and/or repair it yourself, this will void the warranty!**

Error	Cause	Measure
<b>Needle bounces or slides across record</b>	Is the record or the stylus dirty or damaged?	Clean the record / or the cartridge. <b>Clearaudio</b> offers many helpful accessories for care and cleaning. In the event of damage, we recommend an assessment by a specialist and, if necessary, an exchange.
	Has the tracking force been set too high/low?	Adjust the tracking force. Use only a suitable gauge! For example <b>Clearaudio</b> „Weight Watcher touch“ or „Smart Stylus Gauge“.
	Is the record deformed or scratched?	Use a record clamp or replace the record.
	Is the turntable leveled?	Check the alignment of the turntable and adjust if necessary.
<b>The tonearm carriage gets stuck</b>	Were all settings made correctly during assembly?	Check all settings and adjust them again if necessary.
	Is the glass tube dirty?	Use a cotton bud and a commercially available glass cleaner to clean the glass tube.  Put some glass cleaner on the cotton bud and slide it through the glass tube with a movement from the inlet to the outlet groove.
	Is the tonearm leveled?	Check the alignment of the tonearm and adjust if necessary.
	Is the turntable leveled?	Check the alignment of the turntable and adjust if necessary.

## 11. Technical data

<b>Construction details:</b>	Tangential tonearm Mechanical and passive drive through dry-running ball bearing in an calibrated polished glass tube
<b>Material:</b>	Aluminium (black/silver), stainless steel, bullet proof wood (natural/black), glass
<b>Cartridge balance range:</b>	5.5g - 15g
<b>Mounting style:</b>	On request
<b>Wiring:</b>	2m Super Sixstream terminated with RCA
<b>Weight:</b>	Approx. 8.6kg, incl. armwand
<b>Dimensions (W/D/H):</b>	Approx. 21.26 x 8.27 x 8.27 inches
<b>Dimensions (W/D/H):</b>	Approx. 540 (incl. lift unit) x 210 x 210mm
<b>Manufacturer's warranty:</b>	10 years*

\* Provided that the warranty card is correctly completed and returned to **Clearaudio**, or your product is registered online at <https://clearaudio.de/en/service/registration.php>, within 14 days of purchase.



Loving music

## User manual

The full, extended warranty period for the *Statement TT1* tonearm is 10 years.

To receive this full **Clearaudio** warranty, you must either complete and return the relevant section of the warranty registration card to **Clearaudio**, or register your product online at:

<https://clearaudio.de/en/service/registration.php>, within 14 days of purchase.

Otherwise only the legal warranty of 1 years can be considered.

The full 10 year warranty can only be honoured, if the product is returned in its original packing.

### ENGLISH WARRANTY

For warranty information, contact your local **Clearaudio** distributor.

#### **RETAIN YOUR PURCHASE RECEIPT**

Your purchase receipt is your permanent record of a valuable purchase. It should be kept in a safe place to be referred to as necessary for insurance purposes or when corresponding with **Clearaudio**.

#### **IMPORTANT**

When seeking warranty service, it is the responsibility of the consumer to establish proof and date of purchase.

Your purchase receipt or invoice is adequate for such proof.

FOR U.K. ONLY

This undertaking is in addition to a consumer's statutory rights and does not affect those rights in any way.

### FRANÇAIS GARANTIE

Pour des informations sur la garantie, contacter le distributeur local **Clearaudio**.

#### **CONSERVER L'ATTESTATION D'ACHAT**

L'attestation d'achat est la preuve permanente d'un achat de valeur. La conserver en lieu sûr pour s'y reporter aux fins d'obtention d'une couverture d'assurance ou dans le cadre de correspondances avec **Clearaudio**.

#### **IMPORTANT**

Pour l'obtention d'un service couvert par la garantie, il incombe au client d'établir la preuve de l'achat et d'en corroborer la date. Le reçu ou la facture constituent des preuves suffisantes.

### DEUTSCH GARANTIE

Bei Garantiefragen wenden Sie sich bitte zunächst an Ihren **Clearaudio** Händler. Heben Sie Ihren Kaufbeleg gut auf.  
**WICHTIG!**

Die Angaben auf Ihrer Quittung erlauben uns die Identifizierung Ihres Gerätes und belegen mit dem Kaufdatum die Dauer Ihrer Garantie-Ansprüche. Für Serviceleistungen benötigen wir stets die Gerätenummer. Diese finden Sie auf dem Typenschild auf der Rückseite des Gerätes oder auch in der beigefügten Garantie-Registrierkarte.

### NEDERLANDS GARANTIE

Voor inlichtingen omtrent garantie dient u zich tot uw plaatselijke **Clearaudio**.

#### **UW KWITANTIE, KASSABON E.D. BEWAREN**

Uw kwitantie, kassabon e.d. vormen uw bewijs van aankoop van een waardevol artikel en dienen op een veilige plaats bewaard te worden voor evt, verwijzing bijv, in verbind met verzekering of bij correspondentie met **Clearaudio**.

#### **BELANGRIJK**

Bij een evt, beroep op de garantie is het de verantwoordelijkheid van de consument een gedateerd bewijs van aankoop te tonen. Uw kassabon of factuur zijn voldoende bewijs.

### ITALIANO GARANZIA

L'apparecchio è coperto da una garanzia di buon funzionamento della durata di un anno, o del periodo previsto dalla legge, a partire dalla data di acquisto comprovata da un documento attestante il nominativo del Rivenditore e la data di vendita. La garanzia sarà prestata con la sostituzione o la riparazione gratuita delle parti difettose. Non sono coperti da garanzia difetti derivanti da uso improprio, errata installazione, manutenzione effettuata da personale non autorizzato o, comunque, da circostanze che non possano riferirsi a difetti di funzionamento dell'apparecchio. Sono inoltre esclusi dalla garanzia gli interventi inerenti l'installazione e l'allacciamento agli impianti di alimentazione.

Gli apparecchi verranno riparati presso i nostri Centri di Assistenza Autorizzati. Le spese ed i rischi di trasporto sono a carico del cliente. La casa costruttrice declina ogni responsabilità per danni diretti o indiretti provocati dalla inosservanza delle prescrizioni di installazione, uso e manutenzione dettagliate nel presente manuale o per guasti dovuti ad uso continuato a fini professionali.

### ESPAÑOL GARANTIA

Para obtener información acerca de la garantía póngase en contacto con su distribuidor **Clearaudio**.

#### **GUARDE SU RECIBO DE COMPRA**

Su recibo de compra es su prueba permanente de haber adquirido un aparato de valor. Este recibo deberá guardarlo en un lugar seguro y utilizarlo como referencia cuando tenga que hacer uso del seguro o se ponga en contacto con **Clearaudio**.

#### **IMPORTANTE**

Cuando solicite el servicio otorgado por la garantía el usuario tiene la responsabilidad de demostrar cuándo efectuó la compra. En este caso, su recibo de compra será la prueba apropiada.





Loving music

**clearaudio electronic GmbH**

Spardorfer Straße 150  
91054 Erlangen  
Germany

Phone / Tel.: +49 9131 40300 100

Fax: +49 9131 40300 119

[www.clearaudio.de](http://www.clearaudio.de)

[www.analogshop.de](http://www.analogshop.de)

[info@clearaudio.de](mailto:info@clearaudio.de)



**Handmade in Germany**

**Clearaudio Electronic** accepts no liability for any misprints.

Technical specifications are subject to change or improvement without prior notice.

Product availability is as long as stock lasts.

Copies and reprints of this document, including extracts, require written consent from

**Clearaudio Electronic GmbH, Germany.**

**2022**